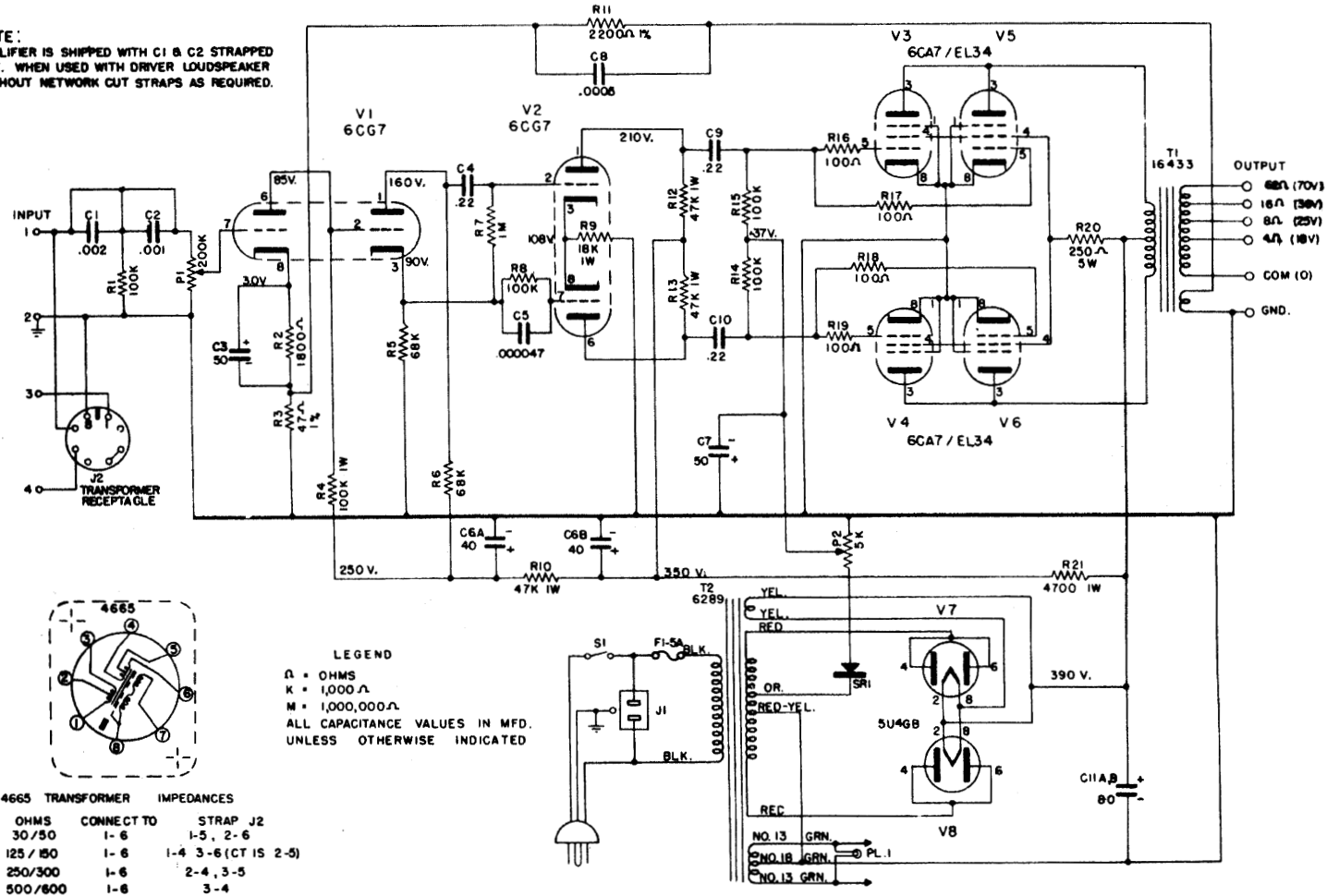


NOTE:
AMPLIFIER IS SHIPPED WITH C1 & C2 STRAPPED
OUT. WHEN USED WITH DRIVER LOUDSPEAKER
WITHOUT NETWORK CUT STRAPS AS REQUIRED.



ALTEC LANSING
1569A AMPLIFIER

FIRST MADE FOR
 TOLSON-BRANDS ENERGY AND SYSTEMS PLANT • 11541 BLDG. • 2000 WALK HENNE • 7th FLOOR • 2001 BLDG. • 11th FLOOR • 2002 BLDG. • 11th FLOOR

DATE	BY	REVISION
1-19-58		

ALTEC
 ANAHEIM, CALIFORNIA
 1569A AMPLIFIER
 SCHEMATIC
 A.B. 6340